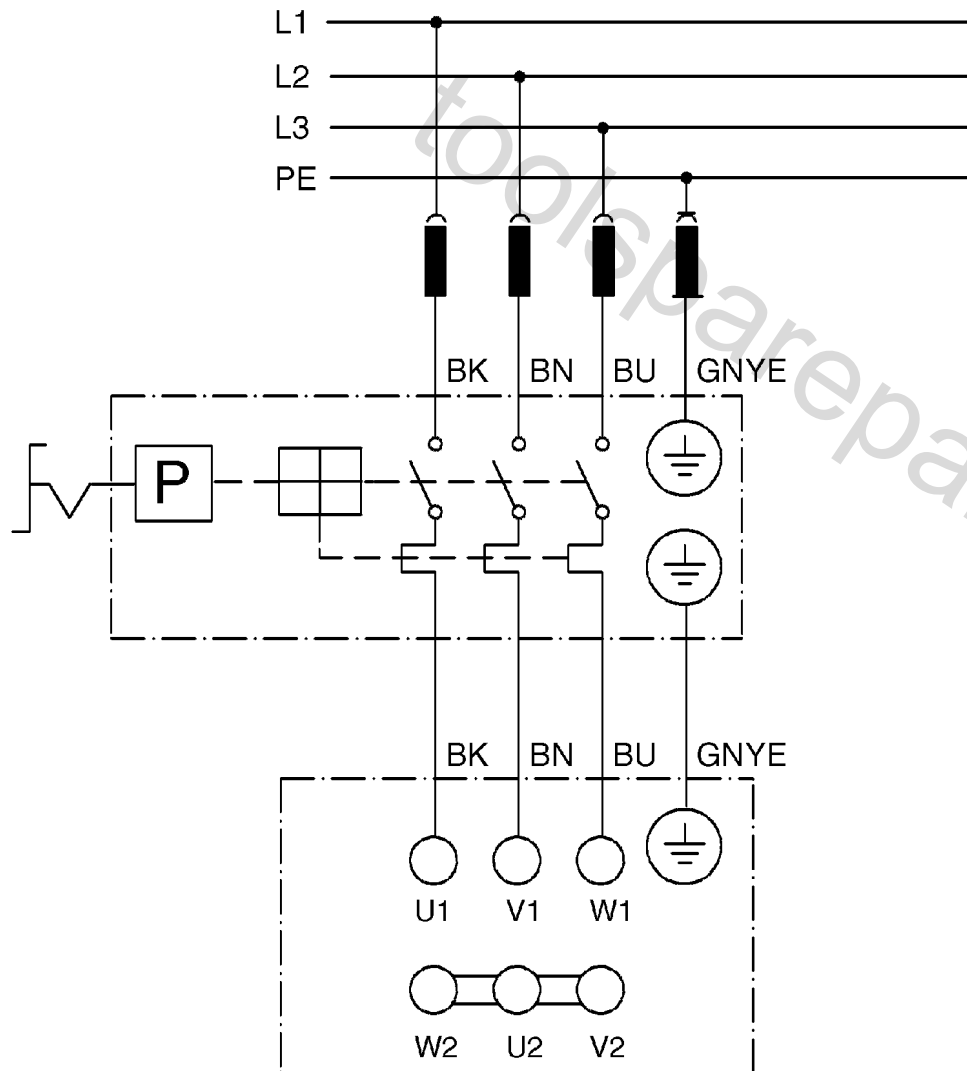


| Position | Amount | Type number | Description                              | PG |
|----------|--------|-------------|--|----|
| 1        | 14     | 141150050   | Washer                                   | 10 |
| 2        | 2      | 6103005270  | HEXAGON HEAD SCREW M 10X20 VERZ.         | 10 |
| 3        | 1      | 7871026968  | REDUCER NIPPL 1"X1/2" NR.241 / VERZ.     | 16 |
| 4        | 8      | 6202002313  | HEXAGON NUT, PREV. TORQUE TYPE           | 10 |
| 5        | 1      | 7871675990  | THREADED PLUG 1" NR.596 / VERZ.          | 20 |
| 6        | 1      | 7830029286  | DRAIN VALVE R 1/2"                       | 31 |
| 7        | 2      | 7271663832  | SWIVEL PLATE CASTER RD 75X25 M.FESTSTELL | 28 |
| 8        | 2      | 6127609460  | HEXAGON SOCKET HEAD CAP SCREW M 10X25 VE | 10 |
| 9        | 2      | 6202024139  | HEXAGON NUT, PREV. TORQUE TYPE           | 10 |
| 10       | 2      | 6305002508  | WASHER B 13 VERZ.                        | 10 |
| 11       | 2      | 7270663812  | WHEEL, PNEUMATIC TYRE RD 300/100         | 39 |
| 12       | 2      | 6300016705  | Washer                                   | 10 |
| 13       | 2      | 6103001275  | HEXAGON HEAD SCRE M 12X100 VERZ.         | 13 |
| 14       | 1      | 8402415682  | CABLE, RUBBER JACKET,WITH PLUG A=CEE16A  | 37 |
| 15       | 2      | 1341630874  | HANDLE                                   | 20 |
| 16       | 6      | 6172039616  | CROSS REC'D PAN HEAD TAP.SCREW ST 3,5X19 | 10 |
| 17       | 1      | 1317677835  | HANDLE TUBE RDA 20X1,5X1231 GEBOGEN      | 40 |
| 18       | 1      | 1001678430  | HOSE COIL ASSEMBLY ET                    | 54 |
| 19       | 1      | 7802009105  | Quick COUPLER, SLEEVE R 1/2" AG          |    |
| 20       | 1      | 7871026968  | REDUCER NIPPL 1"X1/2" NR.241 / VERZ.     | 16 |
| 21       | 4      | 6103001259  | HEXAGON HEAD SCREW M 10X40 VERZ.         | 10 |
| 22       | 1      | 7853663993  | STEEL MESH HOSE NW13X500/16BAR M26X1,5 / | 40 |
| 23       | 1      | 1001676705  | CHECK VALVE, ELBOW TYPE R 1/2"X RD 18 M. | 36 |
| 24       | 1      | 1341645472  | HOSE CLAMP                               | 10 |
| 32       | 2      | 1341634594  | BEARING BLOCK                            | 13 |
| 33       | 1      | 7872675854  | ELBOW TAP CONNECTOR R 1/4"A X 10MM M.O-R | 25 |
| 34       | 1      | 1341634608  | CRANK                                    | 13 |
| 40       | 1      | 7872675854  | ELBOW TAP CONNECTOR R 1/4"A X 10MM M.O-R | 25 |
| 41       | 1      | 8101190820  | AUTOM.PRESS.CONTR.SWITCH ASS'Y MDR 3/11  | 55 |
| 42       | 1      | 8401664077  | CABLE, RUBBER JACKET, W/O PLUG A=70 GE/G | 18 |
| 43       | 1      | 7834664121  | RELIEF VALVE EV3 S                       | 26 |
| 44       | 2      | 7851190842  | PLASTIC HOSE BLACK RD 6X1X1000 SCHWARZ   | 17 |
| 45       | 1      | 7230663925  | V-BELT SPA 1432                          | 30 |
| 46       | 4      | 6127056666  | HEXAGON SOCKET HEAD CAP SCREW M 10X35 VE | 12 |
| 47       | 1      | 8013663891  | ELECTRIC MOTOR 3,00 DN 400/3/50 B3 /M.K  | 66 |
| 48       | 4      | 6209675984  | FLANGE NUT M 10 VERZ./VERZAHNUNGS-AUF    | 10 |
| 49       | 2      | 6202002291  | HEXAGON NUT, PREV. TORQUE TYPE           | 10 |
| 50       | 2      | 141151940   | Washer                                   | 10 |
| 51       | 2      | 7872190850  | ELBOW TAP CONNECTOR 1/8" X RD 6          | 24 |
| 52       | 2      | 6209110995  | Flange nut                               | 10 |
| 53       | 1      | 7851675935  | PLASTIC HOSE RD 6X2X100000 DRUCK./HITZEB | 25 |

|     |    |            |   |    |
|-----|----|------------|---|----|
| 54  | 13 | 6143661561 | Fillister head screw w.flange             | 10 |
| 55  | 1  | 1001729019 | REPAIR KIT ENCLOSURE                      | 55 |
| 56  | 1  | 1001729019 | REPAIR KIT ENCLOSURE                      | 55 |
| 57  | 2  | 6103001127 | Hex head screw                            | 10 |
| 58  | 1  | 7820675821 | FILTER PRESSURE REGULATOR ASS' FR 1/4"/0  | 52 |
| 59  | 1  | 7833009618 | SAFETY VALVE R 1/4" 11 BAR                | 33 |
| 60  | 1  | 7872663090 | ELBOW TAP CONNECTOR 1/4"A X 6MM M.O-RING  | 23 |
| 61  | 1  | 7871664190 | TUBE FITTING 1/2" I X 1/2" A LÖSBAR       | 25 |
| 62  | 1  | 7812025613 | PIPE NIPPLE 1/2"X80 VERZINKT ENTFETTET    | 16 |
| 63  | 1  | 1312679589 | CONNECTING PLATE BL 2,00X16X119           | 16 |
| 64  | 1  | 7243676678 | LOCKING BUSH 1610-28 / NUT 8 MM TAPER     | 25 |
| 65  | 1  | 7240663982 | V-BELT PULLEY TBA 150-1-1610              | 34 |
| 66  | 1  | 6721608849 | FEATHER KEY A 8X7X35 ET                   | 10 |
| 67  | 2  | 141114860  | Hexagon head screw                        | 12 |
| 68  | 2  | 141151340  | Washer                                    | 10 |
| 69  | 2  | 1001697303 | INTEGRATED PRESSURE GAUGE RD 40 R1/8" I 0 | 31 |
| 70  | 1  | 1001678406 | RETENTION PLATE, ASS'Y ET                 | 38 |
| 73  | 1  | 1312713981 | FAN COVER BAUGRÖßE 100/ET MEGA 600/700/7  | 33 |
| 74  | 1  | 1312713973 | FAN WING BAUGRÖßE 100/ET MEGA 600/700/71  | 30 |
| 100 | 1  | 1313663856 | COMPRESSOR PUMP B 4900/A M.LÜFTERRAD RD   | 68 |
| 101 | 1  | 7825156180 | AIR FILTER ET                             | 30 |
| 102 | 1  | 1319164193 | PISTON RING RD 50X2                       | 30 |
| 103 | 1  | 1319164207 | PISTON RING RD 50X2                       | 30 |
| 104 | 1  | 1319164215 | OIL WIPING RING RD 50X4                   | 31 |
| 105 | 1  | 1319163790 | PISTON, HP RD 50 ET                       | 49 |
| 106 | 1  | 1315163915 | GUDGEON PIN RD 18X42 ET                   | 31 |
| 107 | 4  | 6401627209 | CIRCLIP FOR BORES 18X1 ET                 | 10 |
| 108 | 2  | 1319679142 | CONNECTING ROD B4900B/ET                  | 43 |
| 109 | 4  | 1319157057 | CONROD BEARING SHELL ET                   | 28 |
| 110 | 1  | 1319157138 | PACKING, INTERMEDIATE COOLER ET           | 22 |
| 111 | 1  | 7833626781 | SAFETY VALVE R 1/4" 4,0-4,5BAR ET         | 25 |
| 113 | 1  | 7635157067 | ROTARY SHAFT SEAL ET                      | 23 |
| 114 | 1  | 1319678391 | FLYWHEEL RD 350 ET                        | 58 |
| 115 | 1  | 1315166400 | WASHER 8,5X30X5 ET                        | 19 |
| 116 | 1  | 6121000839 | Cap screw                                 | 10 |
| 117 | 1  | 1315164709 | CRANKSHAFT ET                             | 64 |
| 118 | 1  | 1319639310 | INTERMEDIATE COOLER ET                    | 58 |
| 119 | 2  | 7100157076 | DEEP GROOVE BALL BEARING 25X52X15 6205    | 32 |
| 120 | 2  | 1319157022 | PACKING, BEARING CAP ET                   | 14 |
| 121 | 1  | 1319156174 | CYLINDER HEAD GASKET ET                   | 30 |
| 122 | 1  | 1319156140 | PACKING, VALVE PLATE ET                   | 32 |
| 123 | 1  | 1319156166 | CYLINDER GASKET ET                        | 27 |

|     |   |            |                                |    |
|-----|---|------------|--------------------------------|----|
| 125 | 1 | 1319163804 | PISTON, LP RD 95 ET            | 57 |
| 126 | 1 | 1319164240 | OIL WIPING RIN RD 95X5         | 36 |
| 127 | 1 | 1319164231 | PISTON RIN RD 95X2,5           | 31 |
| 128 | 1 | 1319164223 | PISTON RIN RD 95X2,5           | 30 |
| 129 | 4 | 6202002305 | HEXAGON NUT, PREV. TORQUE TYPE | 10 |
| 130 | 1 | 1319156123 | CYLINDER HEAD ET               | 53 |
| 131 | 1 | 1319156131 | VALVE ASSEMBLY ET              | 58 |
| 133 | 1 | 1319161992 | CYLINDER FOOT GASKET ET        | 25 |
| 134 | 1 | 1319155895 | CRANKCASE BREATHER 3/8" ET     | 31 |
| 135 | 1 | 1319157049 | BEARING CAP, PINION END ET     | 25 |
| 136 | 1 | 1319155860 | OIL SIGHT GLASS 1/2" ET        | 22 |
| 138 | 1 | 1319164444 | CRANKCASE PACKING ET           | 30 |
| 140 | 1 | 1319161763 | PACKING, PRESSURE LINE ET      | 23 |
| 141 | 1 | 1313137267 | AFTERCOOLER                    | 38 |



|      | Litzenfarben | Colour of strands | Couleur des cordons |
|------|--------------|-------------------|---------------------|
| BK   | schwarz      | black             | noir                |
| WH   | weiß         | white             | blanc               |
| BU   | blau         | blue              | bleu                |
| YE   | gelb         | yellow            | jaune               |
| RD   | rot          | red               | rouge               |
| TR   | transparent  | transparent       | transparent         |
| BN   | braun        | brown             | brun                |
| GY   | grau         | grey              | gris                |
| GNYE | grün-gelb    | green-yellow      | vert-jaune          |
| BKWH | schwarz-weiß | black-white       | noir-blanc          |
| GN   | grün         | green             | vert                |
| OG   | orange       | orange            | orange              |
| VT   | violett      | violet            | violet              |
| TQ   | türkis       | turquoise         | turquoise           |

|   | Bedeutung der Kurzzeichen | Meaning of the symbols              | Interprétation des symboles |
|---|---------------------------|-------------------------------------|-----------------------------|
| B | Stecker                   | plug                                | fiche                       |
| C | Kondensator               | condenser                           | condensateur                |
| D | Funkentstördrossel        | interference suppression inductance | inductance d'antiparasitage |
| E | Elektronik-Baustein       | electronic unit                     | unité électronique          |
| I | Induktionsspule           | induction coil                      | bobine d'inductance         |
| K | Klemme                    | terminal                            | borne                       |
| L | Licht                     | light                               | lumière                     |
| M | Motor                     | motor                               | moteur                      |
| O | Überlastschutz            | overload cut-out                    | déclencheur de surintensité |
| R | Drehrichtungsumschalter   | reversing switch                    | commutateur droite-gauche   |
| S | Schalter                  | switch                              | interrupteur                |
| U | Umschalter                | change-over switch                  | commutateur                 |
| X | Elektronik-Element        | electronic element                  | élément électronique        |